

## 摩托车防抱死刹车系统 Motorcycle Antilock Braking System

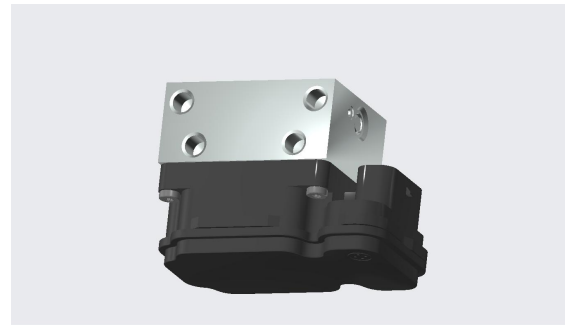
### 产品介绍 General Description

- ◆ 摩托车防抱死制动系统专为两轮车的制动特性而设计，可适应从小型自行车到高性能自行车的各种型号。它在制动时为骑手提供支持，即使在急刹车或湿滑的道路上也是如此。它可以防止车轮抱死，确保车辆稳定性和制动时的最佳减速，有助于降低跌倒风险并缩短刹车距离。

Motorcycle Antilock braking system(MABS) was especially designed for the braking characteristics of two-wheelers and can be adapted to a wide range of models from small bikes to high-performance bikes. It supports the rider while braking, even in case of hard braking or on slippery roads. It can prevent wheel lockup, ensure vehicle stability and optimal deceleration during braking, help reduce the risk of falls and shorten braking distance.

### 产品特征及优势 Feature and benefits

- ◆ 采用32位MCU、高度集成的MABS专用芯片，提高抗干扰能力  
Adopt 32-bit MCU and highly integrated MABS special chip to improve anti-interference ability
- ◆ 可提供两路CAN  
2 CAN support
- ◆ 电源控制电路,拥有Power Latch功能  
Power control circuit with power latch
- ◆ 重量 0.67kg  
weight 0.67kg
- ◆ 工作电压: 9~16V  
Operating voltage : 9V ~ 16V
- ◆ 工作温度: -30°C~85°C  
Working temperature: -30°C~85°C



防抱死刹车系统  
Antilock Braking System

### 产品应用 Function

- ◆ 摩托车ABS防抱死功能  
ABS : Motorcycle Antilock braking system
- ◆ 摩托车EBD电子制动力分配功能  
EBD: Motorcycle Electrical Brake Distribution
- ◆ 摩托车TCS功能  
TCS: Motorcycle Traction Control System
- ◆ 支持CAN诊断刷写及UDS协议  
CAN flash and UDS diagnostic